

# TD Dust Collectors

Models TD-162, TD-486, and TD-573

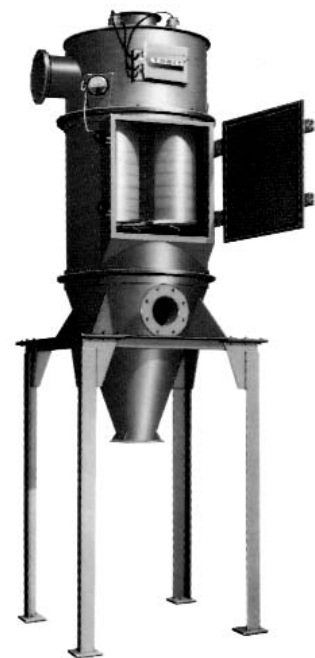
Standard and high pressure pulse-jet dust collectors provide on-line filter cleaning allowing continuous-duty operation.



TD-162



TD-486

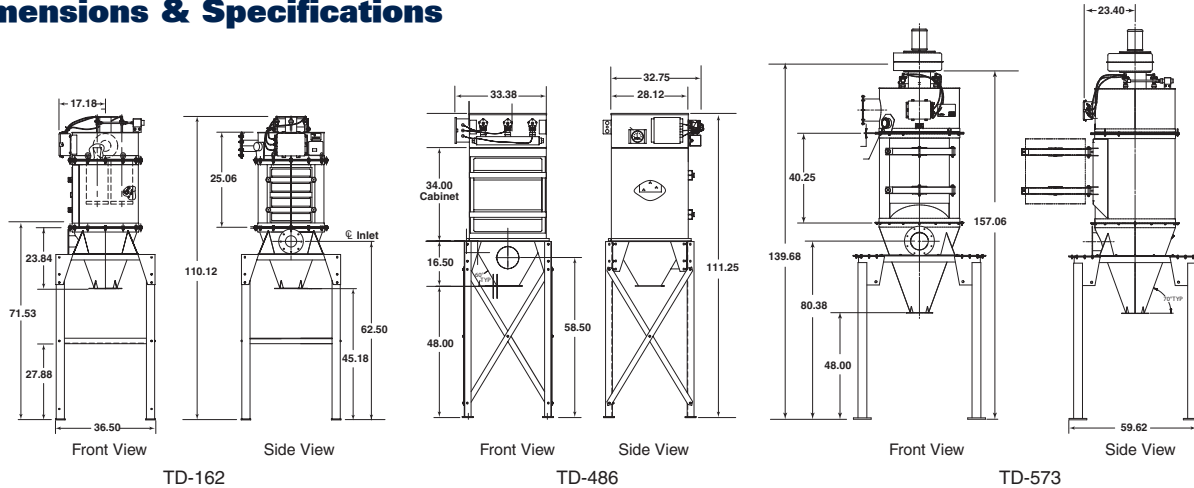


TD-573

- Ultra-Web® filter cartridges featuring nanofiber technology provide high filtration efficiency and long filter life.
- MERV\* 13 filtration efficiency rating outperforms the competition.
- Easy filter changeout for quicker maintenance.
- Compact design ideal for bin venting applications where space is at a premium.
- Lower operating pressure drop reduces operating costs.
- Optional tangential inlet on round TD housings preseparates dust for high-loading applications.
- Provides a clean working environment for maximum productivity.
- Helps support OSHA Clean Air Standards.

# TD Dust Collectors

## Dimensions & Specifications



Model	Nominal Airflow Range** (cfm)	Ultra-Web® Filter Area (ft <sup>2</sup> )	No. of Filters	No. of Valves	Housing Rating	Shipping Weight*** (lbs)
TD-162	300-400	180	3	3	-220 "wg	450
TD-486	700-1500	540	9	3	-220 "wg	500
TD-573	1000-1100	510	3	3	±20 "wg	1350

## Equipment Options

- Cartridge filter options:
  - Ultra-Web FR
  - Fibra-Web®
  - Torit-Tex™
  - Ultra-Tek®
- 1, 2, 3, 5, 7.5, and 10 hp blowers
- Solid-state timer
- Adjustable damper (blower)
- Explosion vents
- Magnehelic® gauge
- Photohelic® gauge
- Bolt-on support legs
- Inlet adapters
- Hopper discharge
  - Slide gate pack
  - 5-gallon pail pack
  - 55-gallon drum cover
  - Rotary airlock

\* The Minimum Efficiency Reporting Value (MERV) of this filter cartridge has been determined through independent laboratory testing using ASHRAE 52.2 (1999) test standards. The MERV rating was determined at a face velocity of 118 feet per minute and loading up to four inches water gauge. Actual efficiency of any filter cartridge will vary according to the specific application parameters. Dust concentration, airflow, particle characteristics, and pulse cleaning methods all affect filtration efficiency.

\*\* Based on clean filters.

\*\*\* Weight is for 155-68° hopper arrangement without fan.

® Magnehelic and Photohelic are registered trademarks of Dwyer Instruments, Inc.



Donaldson Company, Inc.  
Industrial Air Filtration  
P.O. Box 1299  
Minneapolis, MN 55440

Tel 800-365-1331(USA)  
Tel 800-343-3639 (within Mexico)  
dustmktg@mail.donaldson.com  
www.donaldson.com

Significantly improve the performance of your collector with genuine Donaldson Torit replacement filters and parts.

**Visit us at [www.donaldsondynamic.com](http://www.donaldsondynamic.com)**

Information in this document is subject to change without notice.

© 2000 Donaldson Co., Inc.  
Printed in U.S.A. on recycled paper

Data Sheet TD (06/05)

